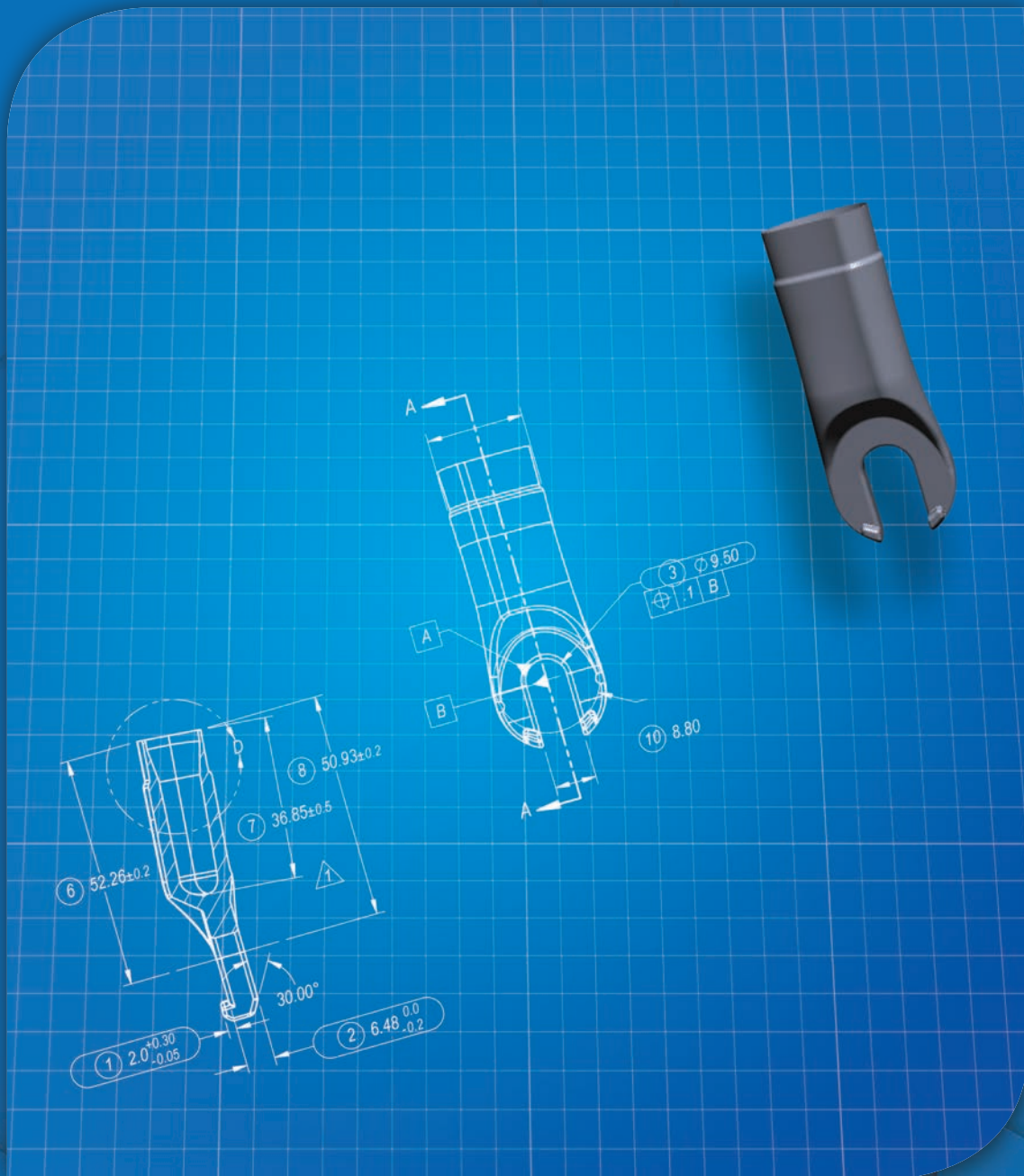


Duromer



ENGINEERING POLYMER COMPOUNDS

What sets Duromer apart:

- ◆ Listening to our customers
- ◆ Focused customer service
- ◆ Building cost effective and targeted solutions
- ◆ Flexibility of manufactured order quantity - 500kg to 50 MT
- ◆ Customised Formulations
- ◆ Targeted product development
- ◆ Global reach for new technology
- ◆ Regional support with distribution channels throughout Asia

◆ Technical and Laboratory Capabilities

Capabilities:

ISO & ASTM test capabilities.

D.A.M. & Conditioned Impact Strength, Tensile and Flexural properties.

UL94 - V0, VI, V2, 5Va, HB

GWIT, GWFI

Long Term thermal stability

Melting Point

Melt Flow Index

Ash Content

Specific Gravity / Density

Shore Hardness A & D

Microscopic examination and imaging

Fibre Length Retention analysis

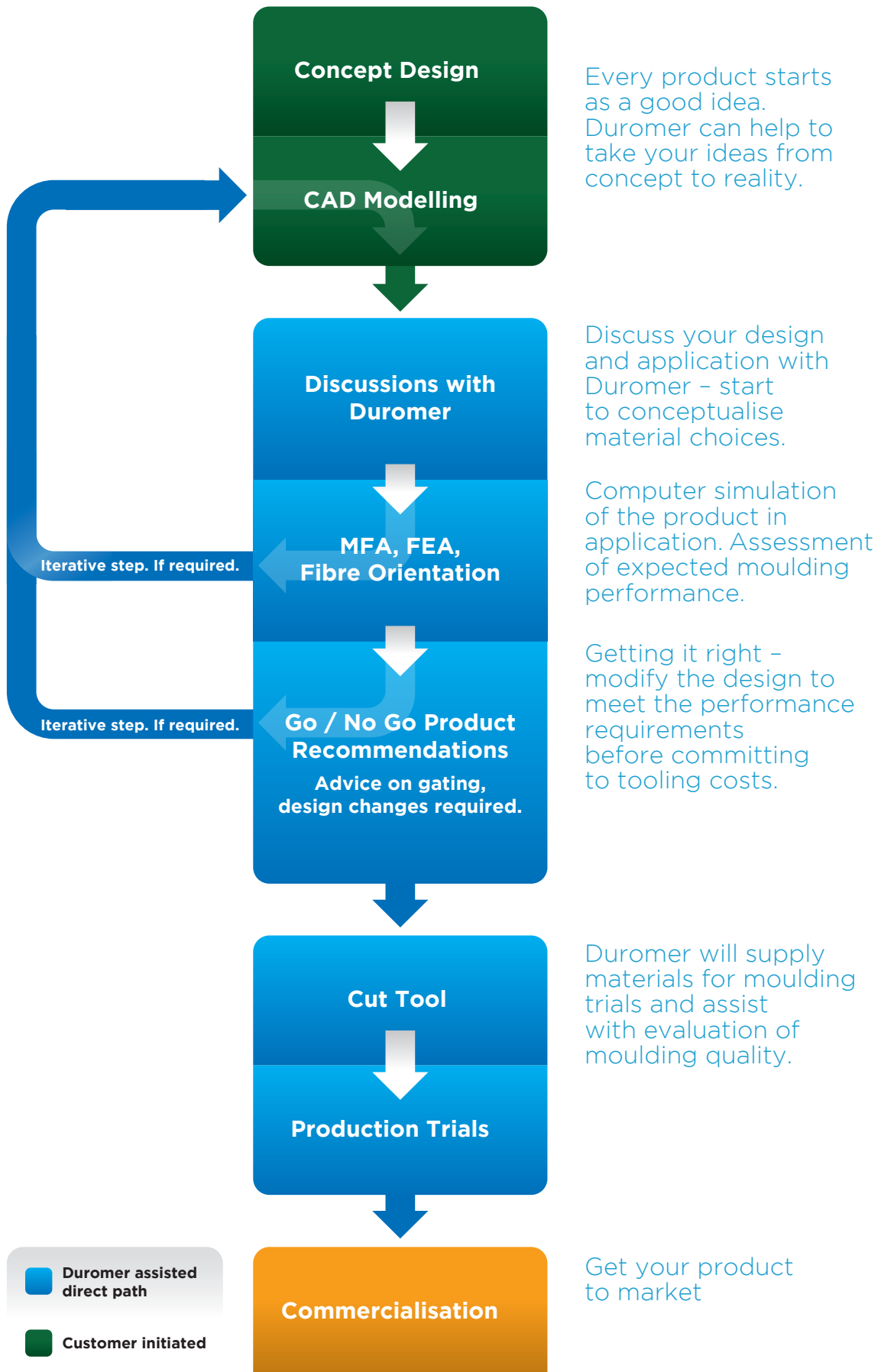
Weld Line Integrity

Chemical Resistance (limited)

Volume / Surface resistivity

Duromer maintains a fully equipped laboratory both for “Quality Control” measures and “Research and Development”.





DUROMER'S PRODUCTS

PRIME POLYMERS	UNFILLED	GLASS FIBRE	LONG FIBRE Polystruct	MINERAL	CARBON FIBRE	PTFE / Lube	Flame Retardant HAL OR NON-HAL	IMPACT MODIFIED	CONDUCTIVE	FAST CYCLING ADDITIVES
Nylon 6	✓	✓	✓	✓	✓	✓	✓	✓	✓	✓
Nylon 6,6	✓	✓	✓	✓	✓	✓	✓	✓	✓	✓
Nylon 12	✓	✓	✓	✓	✓	✓		✓		
PPA (Hi temp nylon)	✓	✓	✓	✓						
Nylon 6,12	✓	✓			✓					
Poly Ketone	✓	✓				✓	✓	✓		
PP	✓	✓	✓	✓	✓	✓	✓	✓	✓	✓
HDPE	✓	✓	✓	✓	✓	✓	✓	✓	✓	
ABS	✓	✓					✓	✓	✓	
ASA	✓	✓								
Acetal	✓	✓				✓				
PBT	✓	✓	✓	✓	✓	✓	✓	✓	✓	✓
PC	✓	✓			✓	✓	✓	✓	✓	
PET		✓					✓	✓		✓
PPS		✓		✓						
K-Resin	✓									
TPU	✓	✓	✓	✓						
TPE	✓									
PC/ABS	✓	✓		✓			✓	✓		
PC/ASA	✓	✓		✓			✓	✓		
REPROCESSED										
Nylon 6	✓	✓		✓			✓	✓		
Nylon 6,6	✓	✓		✓			✓	✓		
PP	✓	✓		✓						✓
HDPE	✓									
PET	✓	✓					✓	✓		✓

Reprocessing service offered for most polymers.

Pre-coloured prime compounds and some recycled polymers are also offered pre-coloured.

* Our range of polymers & additives increases regularly. If there is something missing from our range that you use please enquire as to its availability.

We currently supply compounds containing liquids, oils, PTFE, metal powders, laser marking additives, silicon, UV, heat stabilisers, and stainless steel fibres to give you an example of our capabilities.

Overview

Duromer has grown in technical capability and depth over the last 34+ years. From humble beginnings as a distributor of engineering polymers and compounds, we now manufacture our own proprietary range of thermoplastic compounds, developed in house in our own laboratories across a broad range of polymers.

In 2014, Duromer invested in the manufacturing capability to produce Long Fibre Thermoplastic compounds and offer a suite of PA and PP LGF compounds for a variety of applications.

As an added dimension to our business Duromer distributes a range of high performance and commodity polymer products to increase the range of options we can offer to our diverse customer base. Duromer are the Australian channel to market for:

- Evonik's High Performance Polymers including PA12, Trogamid (Transparent Nylon), PA6/12, PA10/10;6/10;10/12, PEEK and other materials.
- Radici High Performance Polymers engineering thermoplastic compounds
- Wanhua - TPU, PC, PC compounds, PMMA
- Formosa POM

Manufacturing Capacity

Installed capacity is currently 10,000 tonnes per annum delivered on co-rotating twin screw compounding lines and a pultrusion compounding line. The manufacturing plant operates 24 hours per day on a 5 day cycle supported by Management, Planning, Logistics, Purchasing and QA personnel with in-house maintenance and technical services.

Our manufacturing capabilities are state-of-the-art. We are equipped to handle a broad range of polymers and additives. Duromer also has a gravimetrically controlled, continuous blending station for efficient blending of pelletised components. This provides customers with lower cost alternatives to fully compounded products.



QMS Certification Services

Quality Accreditation

Duromer is accredited to ISO9001:2015 and we have held quality accreditation since April 2002.

Duromer is an approved supplier for leading OEM suppliers within the medical devices industry.

Duromer is a UL registered site for manufacturing Flame Retardant Compounds.

Company History

- **April 1988:** Duromer Products Pty Ltd (“Duromer”) was established to take advantage of an opportunity to distribute a range of engineering plastic raw materials (Nylon 6 and PET) and barrier films manufactured by AlliedSignal Inc. (now Honeywell Inc.) in the United States. Initially Duromer acted as a merchant of Honeywell’s engineering compounds and films.
- **May 1995:** Duromer acquired a licence from Honeywell for the manufacture and distribution of their Nylon 6 and PET range of engineering compounds in Australia and other defined markets.
- **July 2004:** Following the acquisition of Honeywell’s compounding business by BASF, Duromer began manufacture of our own proprietary range of products and has continued to build on our strong beginnings. Duromer’s key strength in the engineering plastics market is the ability to design our products to provide specific solutions and then support and manage this process to a beneficial conclusion. The business has focused on a “can do” approach and routinely handles a wide range of raw materials from standard reinforcing additives to carbon fibre, flame retarders and metal powders.
- **April 2010:** the company relocated the headquarters and manufacturing plant to a single purpose-built facility strategically located in Sydney’s South Western logistics corridor.
- **May 2012:** Duromer entered the Recycled Polymers market with a range of high-quality recycled thermoplastics including but not limited to PP, PE & ABS.
- **December 2014:** Duromer commissioned the first and only Long Fibre Thermoplastic pultrusion compounding line in Australia.
- **December 2015:** Duromer commenced manufacture of Colour and Additive concentrate masterbatch from a green fields manufacturing site located just outside of Ho Chi Minh City in Vietnam. Thus giving the Duromer group a truly regional position and focus.
- **July 2021:** Duromer Products and DuroColour were purchased by Spell Capital Partners LLC from the USA. Spell purchased a majority position in conjunction with the Australian Senior Management team also deciding to invest for the long term.
- **May 2022:** Following the acquisition by Spell, we are very excited to announce we have decided to expand Duromer Products engineering compounds business into Vietnam and South East Asia. Currently Duromer Products Vietnam is under construction right next door to DuroColour Vietnam with operations scheduled to commence in Q4 2022.



Duomer Products

Sydney - Head Office / Manufacturing Office

Ph: +61 (02) 9426 7300
Fx: +61 (02) 9426 7399
E: customerservice@duomer.com

Location/Deliveries:

Lot 109 Progress Circuit,
Prestons NSW 2170

NSW/QLD Sales Office

Brendan Jones - Sales Manager

Mob: +61 419 876 217

Gary Jennings - Ntl Sales Manager

Recycled Polymers

Mob: +61 418 531 990

Melbourne Sales Office

Nick Hayhurst - Sales Manager Victoria

Mob: +61 414 229 351

E: nick.hayhurst@duomer.com

SA/WA Sales Office

Sadie Lilley - Sales Agent

Ph: +61 8 8364 5047

Mob: 0422 022 545

New Zealand Agents

Polymers International Limited

Tim Worn

Ph: +64 9 304 2875

Mob: +64 27 529 3055

Fx: +64 9 304 2879

E: timw@polymers.co.nz

Deliveries:

117 Newton Rd, Eden Terrace
Auckland 1010

Duomer Products Vietnam

Vietnam - Manufacturing / Sales Office

Ph: +84 2513 514 119 / +84 2513 514 262

Location/Deliveries:

Workshop No.36, 7TH Street
Long Thanh Industrial Zone,
Tam An Commune Long Thanh District,
Dong Nai province, Vietnam

Nguyen Duy Bao

Business Development Manager

Engineering Compounds Division

Ph: +84(0) 2513 514 119

Mob: +84(0) 919 814 062

E: sales01@duomervietnam.com

DuroColour Vietnam

Vietnam - manufacturing / sales

Ph: +84 2513 514 119 / +84 2513 514 262

Location/Deliveries:

No 36-37, Road 7
Long Thanh Industrial Zone,
Tam An Long Thanh District,
Dong Nai province,

Sales Account Manager

Camthu Nguyen (Miss)

Ph: +84 251 3514 262/119 - 108

Mob: +84 911 511 262

Sales Excutive

Calan Duong

Mob: +84 911 722 362

E: sale02@durocolour.com

Duomer

We add Performance to Polymers

- Engineering Compounds
- Virgin and Recycled Polymers
- Long Fibre Thermoplastics

www.duomer.com